

Products / Dining Tables / Pal Table 90

# Pal table 90

by Karim Rashid

**Pal** is, as the name suggests, a friendly and modern line of **indoor & outdoor furniture design** by Karim Rashid for the Spanish brand Vondom. This collection is a selection of **exclusive, minimalistic and colorful collections** of design furniture.



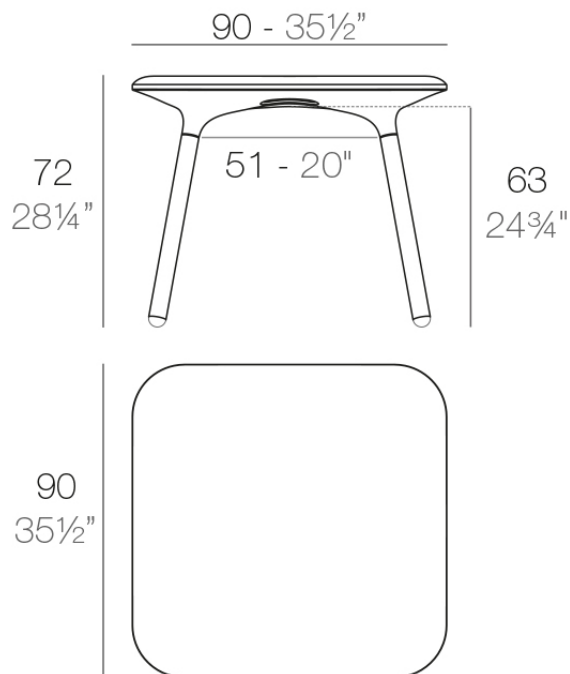
# Info

---

## Description

Made of polyethylene resin by rotational moulding. 100% Recyclable. Item suitable for indoor and outdoor use. Available in different finishes.

Weight: 14.64 Kg



PAL Mesa 90x90  
PAL Table 35 1/2"x35 1/2"

# Finishes

---

## finishes

---

### BASIC

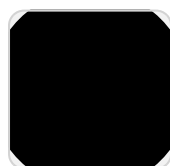
Ref. 51026



orange



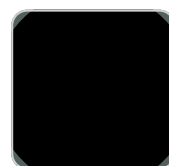
notte blue



ice



crema



green



purjai red



white



black



bronze



steel



anthracite



red



khaki



taupe



ecru



beige

### Matt Polyethylene

### LACQUERED

Ref. 51026F



purjai red



white



black



bronze



steel



anthracite



red



khaki



taupe



ecru



beige



champany

## Lacquered Polyethylene



Products / Dining Tables / Pal Table 90 Iroko Wood Legs

# Pal table 90 iroko wood legs

by Karim Rashid

**Pal** is, as the name suggests, a friendly and modern line of **indoor & outdoor furniture design** by Karim Rashid for the Spanish brand Vondom. This collection is a selection of **exclusive, minimalistic and colorful collections** of design furniture.



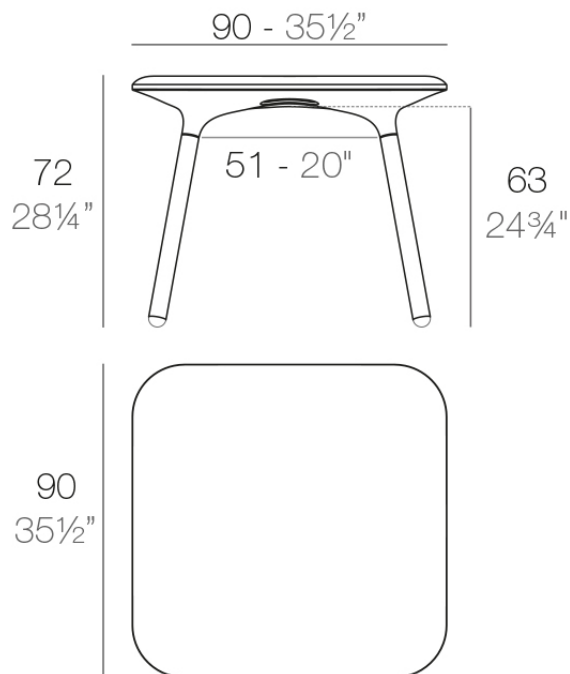
# Info

---

## Description

Made of polyethylene resin by rotational moulding. 100% Recyclable. Item suitable for indoor and outdoor use. Available in different finishes.

Weight: 12.63 Kg



PAL Mesa 90x90  
PAL Table 35 1/2"x35 1/2"

# Finishes

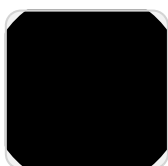
---

## finishes

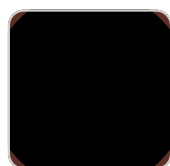
---

### BASIC

Ref. 51028



ice



purjai red



white



black



bronze



steel



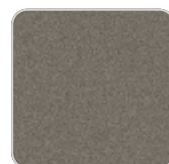
anthracite



red



khaki



taupe



ecru



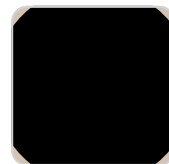
beige



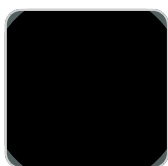
orange



notte blue



crema



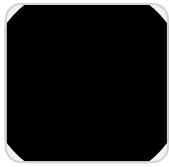
green

### Matt Polyethylene

### LACQUERED

Ref. 51028F





ice



purjai red



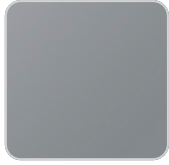
white



black



bronze



steel



anthracite



champany



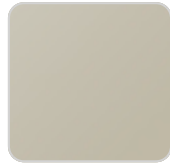
red



khaki



taupe



ecru



beige

## Lacquered Polyethylene

# Ambients

---



Products / Dining Tables / Pal Table 180

# Pal table 180

by Karim Rashid

**Pal** is, as the name suggests, a friendly and modern line of **indoor & outdoor furniture design** by Karim Rashid for the Spanish brand Vondom. This collection is a selection of **exclusive, minimalistic and colorful collections** of design furniture.



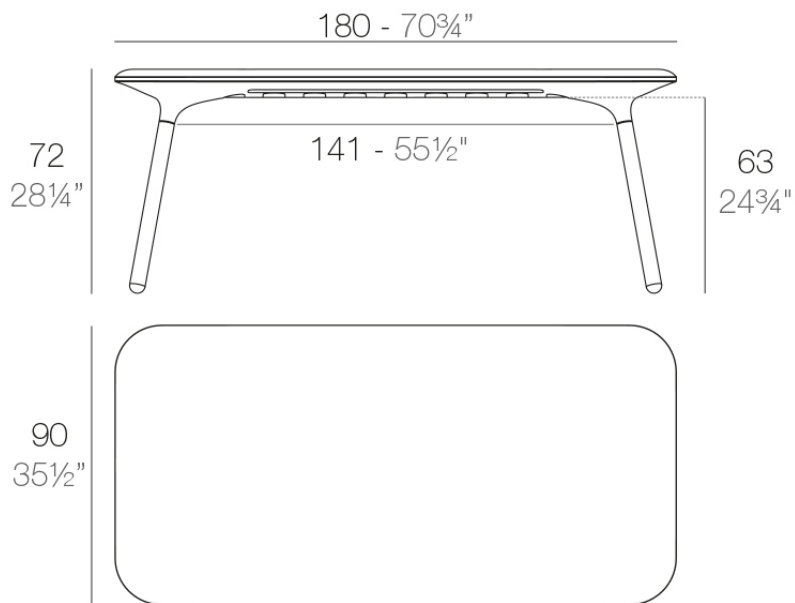
# Info

---

## Description

Made of polyethylene resin by rotational moulding. 100% Recyclable. Item suitable for indoor and outdoor use. Available in different finishes.

Weight: 24.64 Kg



PAL Mesa 180x90  
PAL Table 70<sup>3</sup>/<sub>4</sub>"x35<sup>1</sup>/<sub>2</sub>"

# Finishes

---

## finishes

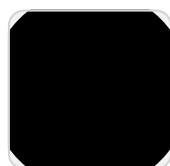
---

### BASIC

Ref. 51027



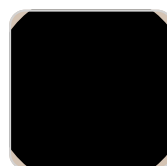
orange



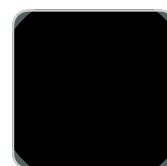
ice



notte blue



crema



green



purjai red



white



black



bronze



steel



anthracite



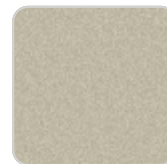
red



khaki



taupe



ecru



beige

### Matt Polyethylene

### LACQUERED

Ref. 51027F



purjai red



white



black



bronze



steel



anthracite



red



khaki



taupe



ecru



beige



champany

## Lacquered Polyethylene

# Ambients

---



Products / Dining Tables / Pal Table 180 Iroko Wood Legs

# Pal table 180 iroko wood legs

by Karim Rashid

**Pal** is, as the name suggests, a friendly and modern line of **indoor & outdoor furniture design** by Karim Rashid for the Spanish brand Vondom. This collection is a selection of **exclusive, minimalistic and colorful collections** of design furniture.





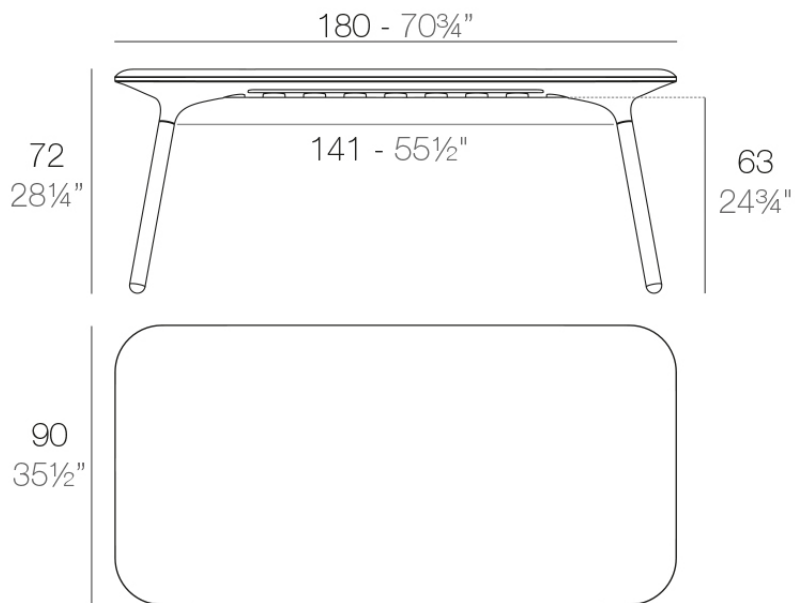
# Info

---

## Description

Made of polyethylene resin by rotational moulding. 100% Recyclable. Item suitable for indoor and outdoor use. Available in different finishes.

Weight: 22.63 Kg



PAL Mesa 180x90  
PAL Table 70<sup>3</sup>/<sub>4</sub>"x35<sup>1</sup>/<sub>2</sub>"

# Finishes

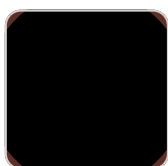
---

## finishes

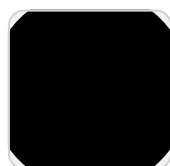
---

### BASIC

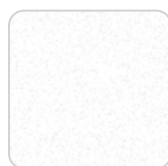
Ref. 51029



purjai red



ice



white



black



bronze



steel



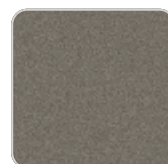
anthracite



red



khaki



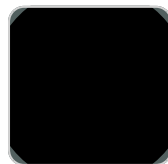
taupe



ecru



beige



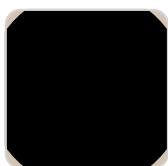
green



orange



notte blue



crema

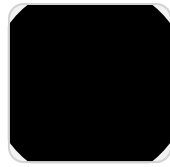
### Matt Polyethylene

### LACQUERED

Ref. 51029F



purjai red



ice



white



black



bronze



steel



anthracite



champany



red



khaki



taupe



ecru



beige

## Lacquered Polyethylene

# Ambients

---

